

## Ohm 220/155 LED 3000K

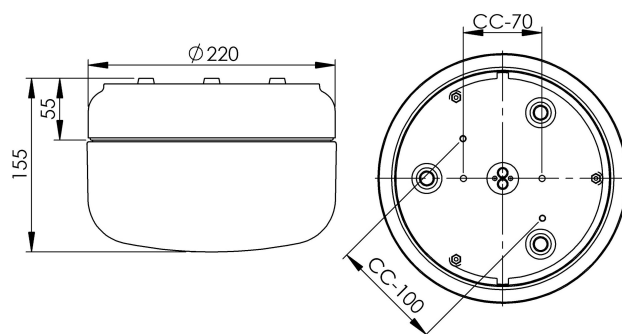
A family of porcelain luminaires for walls, ceilings and tables. Designed by Kauppi & Kauppi, the soft curves and restrained silhouette references to both Scandinavian design and ancient Japanese tableware.

EAN / GTIN	7312908391863
E-number	7512269
Article no.	8391-830-16
Type designation	51833/LED



### Specification

Material	Porcelain
Base colour	Black (NCS S 9000-N)
Glass	Matt opal glass
Glass gasket	Silicone
Weight	2,97 kg
Diameter (mm)	220
Height (mm)	155
Lamp holder	LED
Light source	LED Module, 17W
Effect	17
Lumen, light source	2500
Colour temperature	3000K
MacAdam	3 SDCM
Life span	
LED module L80/B10: 100 000h (Power Supply 50 000h)	
Ra	Min 90
Lighting control	Require CASAMBI ADD-ON.
Rated voltage	230V
Dimmable	No. Require CASAMBI ADD-ON to be dimable.
IP class	IP44
Insulation class	I
Energy class	C
D class	No
IK class	IK02
Ta	-30 - +25
Installation	Ceiling/wall
CC measurement (mm)	70, 101
Knock out opening	2
Cable inlet	Bottom inlet
Cable area, max	Max 3 x 2,5 mm <sup>2</sup>
Bridging	Yes
Surface mounted cable	Yes
Connection	Terminal block
Family	Ohm
Design	Kauppi & Kauppi



### Maintenance

Disconnect the power to the luminaire. Unscrew the glass and clean it. Do not use detergents that contain solvents. Replace light source if necessary. Check the gasket and replace it if necessary. Screw the shade back on.

### Spare parts

Shade Ohm 220/115 matt opal, Article no.: 1-6158-30  
 Gasket silicone for bayonett 184mm, Article no.: 1-03397  
 LED module 17W 3000K ON/OFF, Article no.: 1-54081-930  
 CASAMBI ADD-ON device for LED module ON/OFF, Article no.: 1-6342  
 Power supply ON/OFF 9-20W for type 18262/LED, 51831/LED, 51833/LED, Article no.: 1-6343

*If the luminaire is modified the person responsible for the modification shall be considered manufacturer. Subject to errors in text. We reserve the right to change the technical specifications (without notice).*