

Ohm 220/155

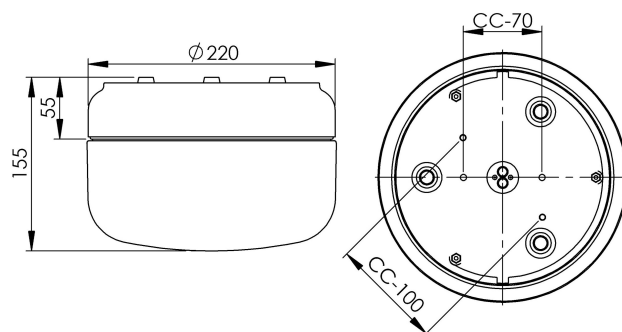
A family of porcelain luminaires for walls, ceilings and tables. Designed by Kauppi & Kauppi, the soft curves and restrained silhouette references to both Scandinavian design and ancient Japanese tableware.

EAN / GTIN	7312908391566
E-number	7512266
Article no.	8391-530-16
Type designation	51833/E27



Specification

Material	Porcelain
Base colour	Black (NCS S 9000-N)
Glass	Matt opal glass
Glass thread (mm)	184 mm
Glass gasket	Silicone
Weight	2,8 kg
Diameter (mm)	220
Height (mm)	155
Lamp holder	E27
Light source	E27, max 2x25W (not incl.)
Effect	2 x Max 25W
Rated voltage	230V
IP class	IP44
Insulation class	I
D class	No
IK class	IK02
Ta	-30 - +25
Installation	Ceiling/wall
CC measurement (mm)	70, 101
Knock out opening	2
Cable inlet	Bottom inlet
Cable area, max	Max 3 x 2,5 mm ²
Bridging	Yes
Surface mounted cable	Yes
Connection	Terminal block
Family	Ohm
Design	Kauppi & Kauppi



Maintenance

Disconnect the power to the luminaire. Unscrew the glass and clean it. Do not use detergents that contain solvents. Replace light source if necessary. Check the gasket and replace it if necessary. Screw the shade back on.

Spare parts

Shade Ohm 220/155 matt opal, Article no.: 1-6159-30
 Gasket silicone for bayonett 184mm, Article no.: 1-03397
 Mounting plate E27 2 x 25W for base with diameter 220.
 Bayonet 184mm, Article no.: 1-54071

If the luminaire is modified the person responsible for the modification shall be considered manufacturer. Subject to errors in text. We reserve the right to change the technical specifications (without notice).