

## Ohm 140/170

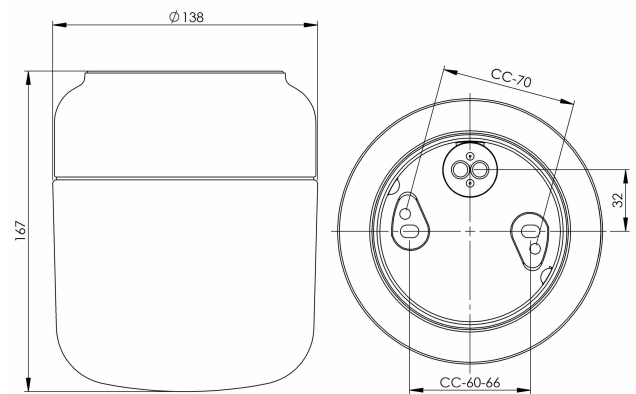
A family of porcelain luminaires for walls, ceilings and tables. Designed by Kauppi & Kauppi, the soft curves and restrained silhouette references to both Scandinavian design and ancient Japanese tableware.

EAN / GTIN	7312908352109
E-number	7507179
Article no.	8352-510-10
Type designation	51822/E27



### Specification

Material	Porcelain
Base colour	White (NCS S 1000-N)
Glass	Clear glass
Glass thread (mm)	123,5 mm
Glass gasket	Silicone
Weight	1,57 kg
Diameter (mm)	138
Height (mm)	167
Lamp holder	E27
Light source	Max 40W (not included)
Effect	Max 40W
Rated voltage	230V
IP class	IP44
Insulation class	II
D class	No
IK class	IK02
Ta	-30 - +25
Installation	Ceiling/wall
CC measurement (mm)	60-66, 70
Knock out opening	0
Cable inlet	Bottom inlet
Cable glands	Bottom inlet
Cable area, max	Max 2 x 2,5 mm <sup>2</sup>
Bridging	Yes
Surface mounted cable	No
Connection	Screw connector
Family	Ohm
Design	Kauppi & Kauppi



### Maintenance

Disconnect the power to the luminaire. Unscrew the glass and clean it. Do not use detergents that contain solvents. Replace light source if necessary. Check the gasket and replace it if necessary. Screw the shade back on.

### Spare parts

Shade Ohm 140/170 clear glass, Article no.: 1-6168-10  
Gasket silicone for thread 123,5 mm, Article no.: 02789

*If the luminaire is modified the person responsible for the modification shall be considered manufacturer. Subject to errors in text. We reserve the right to change the technical specifications (without notice).*