

Ohm 100/110 Sauna

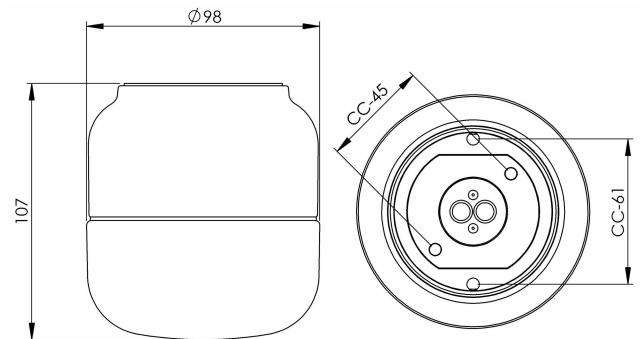
A family of porcelain luminaires for walls, ceilings and tables. Designed by Kauppi & Kauppi, the soft curves and restrained silhouette references to both Scandinavian design and ancient Japanese tableware.

EAN / GTIN	7312908301909
E-number	7506990
Article no.	8301-209-10
Type designation	51821-B/G9



Specification

Material	Porcelain
Base colour	White (NCS S 1000-N)
Glass	Matt opal glass
Glass thread (mm)	84,5 mm
Glass gasket	Silicone
Weight	0,73 kg
Diameter (mm)	98
Height (mm)	108
Lamp holder	G9
Light source	Max 25W wall (included)
Effect	Max 25W wall
Rated voltage	230V
IP class	IP44
Insulation class	II
Energy class	G
D class	No
IK class	IK02
Ta	Max +125
Installation	Wall
CC measurement (mm)	61
Knock out opening	0
Cable inlet	Bottom inlet
Cable glands	Bottom inlet
Cable area, max	Ma2 x 2,5 mm ²
Bridging	Yes
Surface mounted cable	No
Connection	Screw connector
Family	Sauna
Design	Kauppi & Kauppi



Luminaire specific information

Also approved for steam rooms. Sauna light source, halogen, G9, 25W included.

Maintenance

Disconnect the power to the luminaire. Unscrew the glass and clean it. Do not use detergents that contain solvents. Replace light source if necessary. Check the gasket and replace it if necessary. Screw the shade back on.

Spare parts

Shade Ohm 100/110 matt opal, Article no.: 1-6160-30
Gasket silikon for thread 84,5 mm, Article no.: 02786-9

If the luminaire is modified the person responsible for the modification shall be considered manufacturer. Subject to errors in text. We reserve the right to change the technical specifications (without notice).