

Opus 220/140 LED DALI 3000K

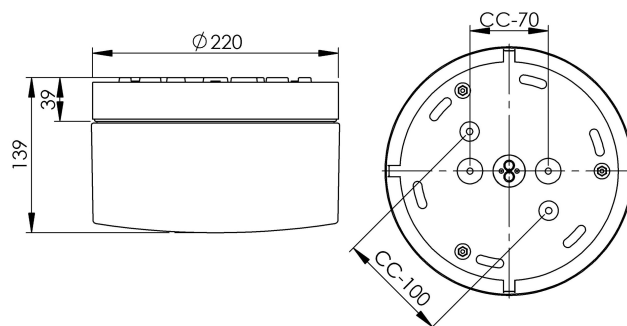
Opus is an elegant cylindrical formed light fitting. Its timeless design is suitable for wall or ceiling installation, both indoors and outdoors.

EAN / GTIN	7312908291965
E-number	7512298
Article no.	8291-8301-16
Type designation	51831/DALI



Specification

Material	Porcelain
Base colour	Black (NCS S 9000-N)
Glass	Matt opal glass
Glass thread (mm)	184 mm
Glass gasket	Silicone
Weight	2,61 kg
Diameter (mm)	220
Height (mm)	140
Lamp holder	LED
Light source	LED Module, 17W
Effect	17W
Lumen, light source	2500lm
Colour temperature	3000K
MacAdam	3 SDCM
Life span	LED module L80/B10: 100 000h (Power Supply 50 000h)
Ra	Min 90
Lighting control	DALI-1/DALI-2/Switch-Dim
Rated voltage	230V
Dimmable	Yes
IP class	IP44
Insulation class	I
Energy class	C
D class	No
IK class	IK02
Ta	-30 - +25
Installation	Ceiling/wall
CC measurement (mm)	70, 101
Knock out opening	3
Cable inlet	Bottom inlet
Cable area, max	Max 5 x 2,5 mm ²
Bridging	Yes
Surface mounted cable	Yes
Connection	Terminal block
Family	Opus
Design	Duoform



Maintenance

Disconnect the power to the luminaire. Unscrew the glass and clean it. Do not use detergents that contain solvents. Replace LED module if necessary. Check the gasket and replace it if necessary. Screw the shade back on.

Spare parts

Shade Opus 220/140 matt opal, Article no.: 1-6179-30
 Gasket silicone for bayonett 184mm, Article no.: 1-03397
 LED module 17W 3000K DALI, Article no.: 1-54081-1930
 Power supply DALI 9-18W for type 18262/DALI, 51831/DALI, 51833/DALI, Article no.: 1-6344

If the luminaire is modified the person responsible for the modification shall be considered manufacturer. Subject to errors in text. We reserve the right to change the technical specifications (without notice).