

Cairo Medium LED 2700K

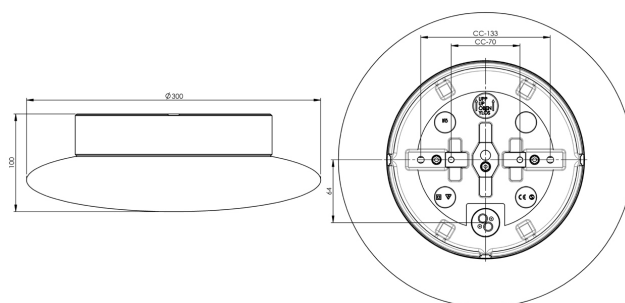
Cairo Medium LED, has the same width as our Cairo Large but are smaller in height, equipped with a 12W LED module. The light fixture has a ceramic base and a matt opal shade. Cairo Medium LED is suitable for both indoor and outdoor use.

EAN / GTIN	7312907306813
E-number	7504372
Article no.	7306-801-10
Type designation	8262/LED



Specification

Material	Porcelain
Base colour	White (NCS S 1000-N)
Glass	Matt opal glass
Glass thread (mm)	185,5 mm
Glass gasket	Silicone
Weight	2,3 kg
Diameter (mm)	300
Height (mm)	100
Lamp holder	LED
Light source	LED module, 12W **
Effect	12W
Lumen, light source	1300lm
Lumen, luminare	870
Colour temperature	2700K
MacAdam	3 SDCM
Life span	L80/B10: 47 000 h
Ra	Min 90
Rated voltage	230V
Dimmable	RC mode
IP class	IP44
Insulation class	II
Energy class	E
D class	No
IK class	IK02
Ta	-30 - +25
Installation	Ceiling/wall
CC measurement (mm)	133, 70
Knock out opening	3
Cable inlet	Bottom inlet
Cable glands	Bottom inlet
Cable area, max	Max 3 x 2,5 mm ²
Bridging	Yes
Surface mounted cable	Yes
Connection	Terminal block
Family	Aton
Design	Håkan Svennesson SD



Maintenance

Disconnect the power to the luminaire. Unscrew the glass and clean it. Do not use detergents that contain solvents. Replace LED module if necessary. Check the gasket and replace it if necessary. Screw the shade back on.

Spare parts

Shade Aton Cairo M matt opal, Article no.: 1-6196-30
Gasket silicone for thread 185,5 mm, Article no.: 03431
LED module 12W 2700K IOT, Article no.: 1-54064-927

** The device must under no circumstances be connected to the same phase as a magnetic ballast or other older fluorescent luminaires as these luminaires can generate overvoltage transients outside of EU regulatory standards when switched off or on. The luminaire can permanently damage or completely cease to function when connected.

If the luminaire is modified the person responsible for the modification shall be considered manufacturer. Subject to errors in text. We reserve the right to change the technical specifications (without notice).