

## Classic

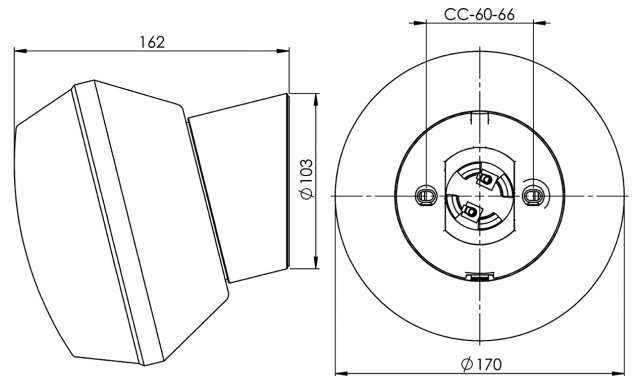
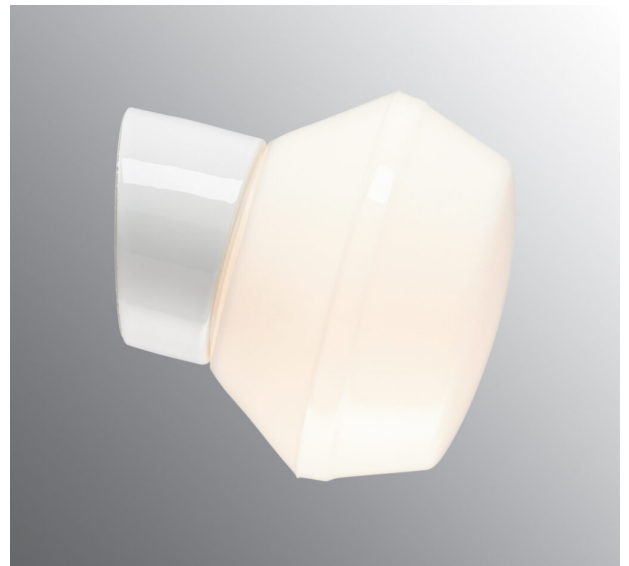
A old favourite in our assortment. Classic has a ceramic base and a shiny opal shade. It can be placed in the ceiling or on the wall, both indoors and outdoors.

|                     |               |
|---------------------|---------------|
| EAN / GTIN          | 7312906095107 |
| E-number            | 7510713       |
| Article no.         | 6095-500-10   |
| Type designation    | 52741         |
| Norwegian El-number | 3032961       |
| Finnish S-number    | 4211994       |



### Specification

|                       |                             |
|-----------------------|-----------------------------|
| Material              | Porcelain                   |
| Base colour           | White (NCS S 1000-N)        |
| Glass                 | Shiny opal glass            |
| Glass thread (mm)     | 84,5 mm                     |
| Glass gasket          | Silicone                    |
| Weight                | 1 kg                        |
| Diameter (mm)         | 170                         |
| Depth (mm)            | 162                         |
| Lamp holder           | E27                         |
| Light source          | E27, max 75W (not included) |
| Effect                | Max 75W                     |
| Rated voltage         | 230V                        |
| IP class              | IP20                        |
| Insulation class      | II                          |
| D class               | No                          |
| IK class              | IK02                        |
| Ta                    | -30 - +25                   |
| Installation          | Wall                        |
| CC measurement (mm)   | 60-66                       |
| Knock out opening     | 2                           |
| Cable inlet           | Bottom inlet                |
| Cable glands          | Bottom inlet                |
| Cable area, max       | Max 2 x 2,5 mm <sup>2</sup> |
| Bridging              | Yes                         |
| Surface mounted cable | Yes                         |
| Connection            | Screw connector             |
| Family                | Classic                     |
| Design                | Ifö Electric                |



### Luminaire specific information

Angeled 14 degrees.

### Maintenance

Disconnect the power to the luminaire. Unscrew the glass and clean it. Do not use detergents that contain solvents. Replace light source if necessary. Check the gasket and replace it if necessary. Screw the shade back on.

### Spare parts

Iföglöbe shiny opal, Article no.: 1-6112

Gasket silikon for thread 84,5 mm, Article no.: 02786-9

*If the luminaire is modified the person responsible for the modification shall be considered manufacturer. Subject to errors in text. We reserve the right to change the technical specifications (without notice).*