

Light On Downlight Sauna

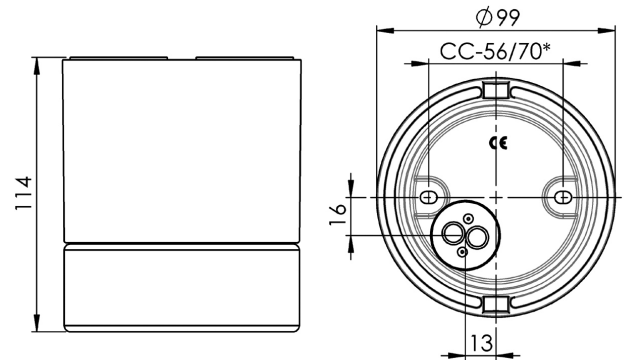
A ceramic light fitting in quality ceramic. Light On Downlight is designed by the famous designer Knud Holscher and intended for use in the ceiling of a sauna.

EAN / GTIN	7312906057914
E-number	7511254
Article no.	6057-209-10
Type designation	6057
Norwegian El-number	3041614
Finnish S-number	4212006



Specification

Material	Porcelain
Base colour	White (NCS S 1000-N)
Glass	Protection glass (Clear glass)
Glass thread (mm)	74 mm
Glass gasket	Silicone
Weight	1,4 kg
Diameter (mm)	99
Height (mm)	114
Lamp holder	GU10
Light source	Max 35W (included)
Effect	Max 35W
Rated voltage	230V
IP class	IP44
Insulation class	II
Energy class	G
D class	No
IK class	IK03
Ta	Max +125
Installation	Ceiling
CC measurement (mm)	56, 70
Knock out opening	2
Cable inlet	Bottom inlet
Cable glands	Bottom inlet
Cable area, max	Max 2 x 2,5 mm ²
Bridging	Yes
Surface mounted cable	Yes
Connection	Mantle screw
Family	Sauna
Design	Knud Holscher



Luminaire specific information

The luminaire is designed to be installed in ambient temperatures of up to 125 °C. Also approved for steam rooms. Sauna light source, halogen, GU10, 35W included.

Maintenance

Switch off the power to the fixture. Remove the top and clean it. Do not use cleaning agents containing solvents. Change the light source if necessary. Check the gasket and change it if necessary. Replace the top.

Spare parts

Gasket silicone for mounting plate for Light On, Article no.: 03737-1

If the luminaire is modified the person responsible for the modification shall be considered manufacturer. Subject to errors in text. We reserve the right to change the technical specifications (without notice).