

Light On

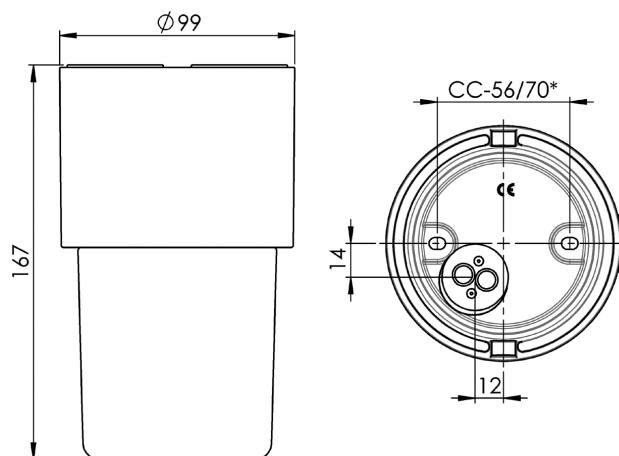
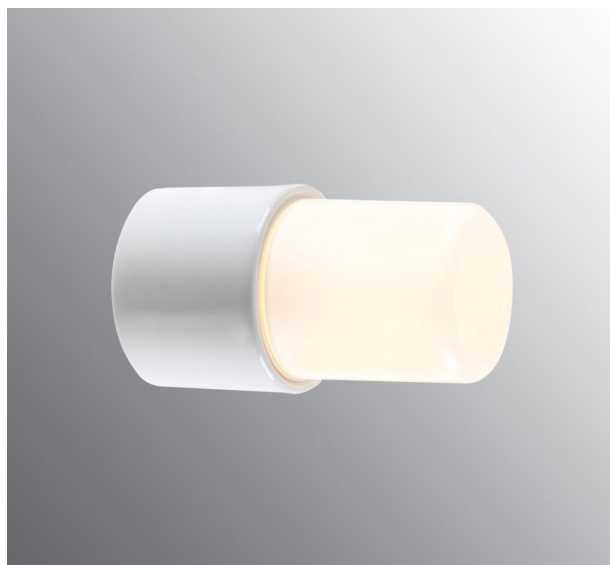
A versatile light fitting suitable for most settings. Designed by the Danish designer Knud Holscher in 1987.

| | |
|---------------------|---------------|
| EAN / GTIN | 7312904050108 |
| E-number | 7510046 |
| Article no. | 4050-500-10 |
| Type designation | 4050/4051 |
| Norwegian El-number | 3040601 |
| Finnish S-number | 4211999 |



Specification

| | |
|-----------------------|-----------------------------|
| Material | Porcelain |
| Base colour | White (NCS S 1000-N) |
| Glass | Shiny opal glass |
| Glass thread (mm) | 74 mm |
| Glass gasket | Silicone |
| Weight | 1,3 kg |
| Diameter (mm) | 99 |
| Height (mm) | 167 |
| Lamp holder | E27 |
| Light source | E27, max 60W (not included) |
| Effect | Max 60W |
| Rated voltage | 230V |
| IP class | IP44 |
| Insulation class | II |
| D class | No |
| IK class | IK02 |
| Ta | -30 - +25 |
| Installation | Ceiling/wall |
| CC measurement (mm) | 56, 70 |
| Knock out opening | 2 |
| Cable inlet | Bottom inlet |
| Cable glands | Bottom inlet |
| Cable area, max | Max 2 x 2,5 mm ² |
| Bridging | Yes |
| Surface mounted cable | Yes |
| Connection | Mantle screw |
| Family | Light On |
| Design | Knud Holscher |



Maintenance

Disconnect the power to the luminaire. Unscrew the glass and clean it. Do not use detergents that contain solvents. Replace light source if necessary. Check the gasket and replace it if necessary. Screw the shade back on.

Spare parts

Shade Light On (E27) shiny opal, Article no.: 1-6117
Gasket silicone for mounting plate for Light On, Article no.: 03737-1

If the luminaire is modified the person responsible for the modification shall be considered manufacturer. Subject to errors in text. We reserve the right to change the technical specifications (without notice).