

Contrast Fridhem

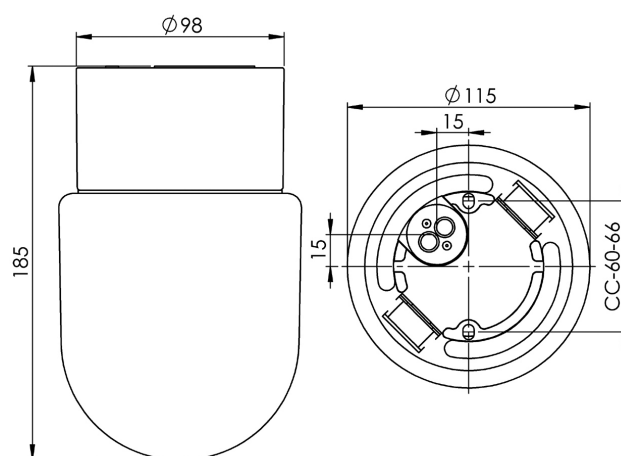
Contrast is a series with different shades in matt opal glass. Each type of glass has received its own local name to honour the area. Ifö Contrast is suitable for both private and public settings.

EAN / GTIN	7312908015103
E-number	7505606
Article no.	8015-500-10
Type designation	52721-2



Specification

Material	Porcelain
Base colour	White (NCS S 1000-N)
Glass	Matt opal glass
Glass thread (mm)	84,5 mm
Glass gasket	Silicone
Weight	0,85 kg
Diameter (mm)	115
Height (mm)	185
Lamp holder	E27
Light source	E27, max 75W (not included)
Effect	Max 75W
Rated voltage	230V
IP class	IP54
Insulation class	II
D class	Yes
IK class	IK02
Ta	-30 - +25
Installation	Ceiling/wall
CC measurement (mm)	60-66
Knock out opening	2 - demands glands
Cable inlet	Bottom inlet
Cable glands	Bottom inlet
Cable area, max	Max 2 x 2,5 mm ²
Bridging	Yes
Surface mounted cable	Yes
Connection	Mantle screw
Family	Contrast
Design	Duoform



Luminaire specific information

Approved for use in environments where an accumulation of non-conductive dust on the luminaire can be expected.

Maintenance

Disconnect the power to the luminaire. Unscrew the glass and clean it. Do not use detergents that contain solvents. Replace light source if necessary. Check the gasket and replace it if necessary. Screw the shade back on.

Spare parts

Shade Fridhem matt opal, Article no.: 1-6122
Gasket silikon for thread 84,5 mm, Article no.: 02786-9

If the luminaire is modified the person responsible for the modification shall be considered manufacturer. Subject to errors in text. We reserve the right to change the technical specifications (without notice).