

Basic

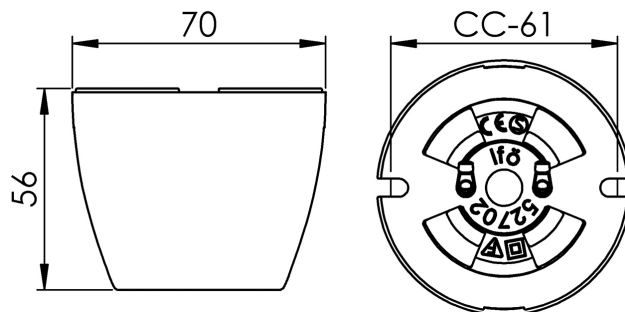
Simple is often difficult, but it is often the simple that gives the best effect and that wins the heart. Despite its simplicity Ifö Basic is used in most the exclusive environments.

| | |
|---------------------|---------------|
| EAN / GTIN | 7312905270246 |
| E-number | 7500007 |
| Article no. | 52702-000-14 |
| Type designation | 52702 |
| Norwegian El-number | 3032202 |
| Finnish S-number | 4212320 |



Specification

| | |
|-----------------------|------------------------------|
| Material | Porcelain |
| Base colour | Brown (NCS S 8010-Y50R) |
| Weight | 0,25 kg |
| Diameter (mm) | 70 |
| Height (mm) | 56 |
| Lamp holder | E27 |
| Light source | E27, max 100W (not included) |
| Effect | Max 100W |
| Rated voltage | 230V |
| IP class | IP20 |
| Insulation class | II |
| D class | No |
| IK class | IK03 |
| Ta | -30 - +25 |
| Installation | Ceiling/wall |
| CC measurement (mm) | 58 |
| Knock out opening | 2 |
| Cable inlet | Bottom inlet |
| Cable glands | Bottom inlet |
| Cable area, max | Max 2 x 2,5 mm ² |
| Bridging | Yes |
| Surface mounted cable | Yes |
| Connection | Screw connector |
| Family | Basic |
| Design | Duoform |



Maintenance

Switch off the power to the light fitting. Dust or dry with a slightly damp cloth. Change the light source if necessary.

If the luminaire is modified the person responsible for the modification shall be considered manufacturer. Subject to errors in text. We reserve the right to change the technical specifications (without notice).